



TECHNICAL PRODUCT INFORMATION

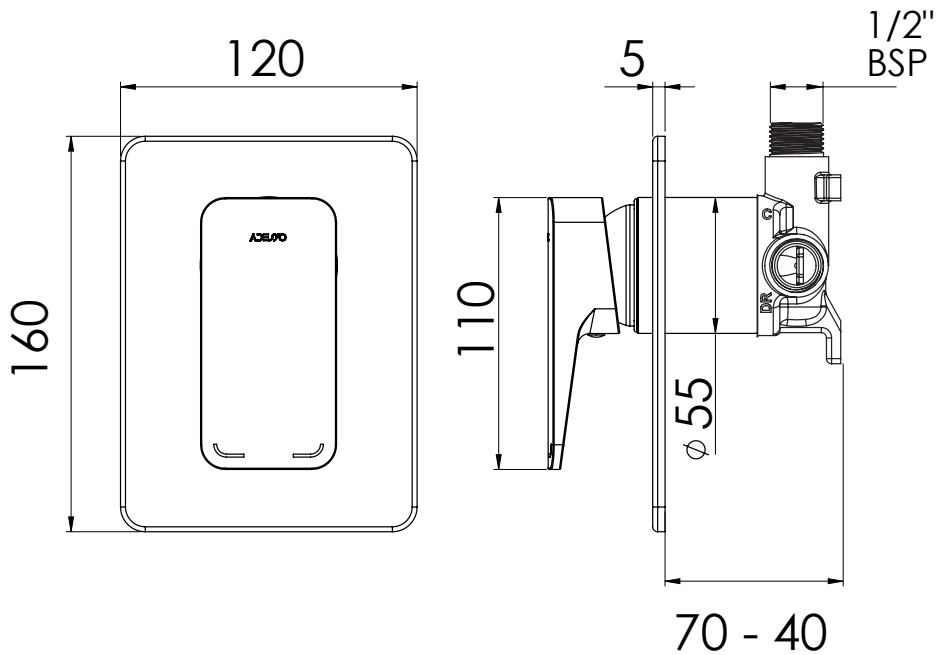
MILA

FUSION PLUS® SHOWER MIXER

DFSPCSMC

FEATURES & BENEFITS

- Suitable for all pressures (up to 1500kPa)
- Supplied with venturi jets for unequal pressures
- Full front of wall maintenance. Ideal for future mains pressure upgrade
- Quality metal faceplate
- Proprietary Felton cartridge
- Designed and assembled in NZ
- Watermark certified



EXCLUSIVE TO

